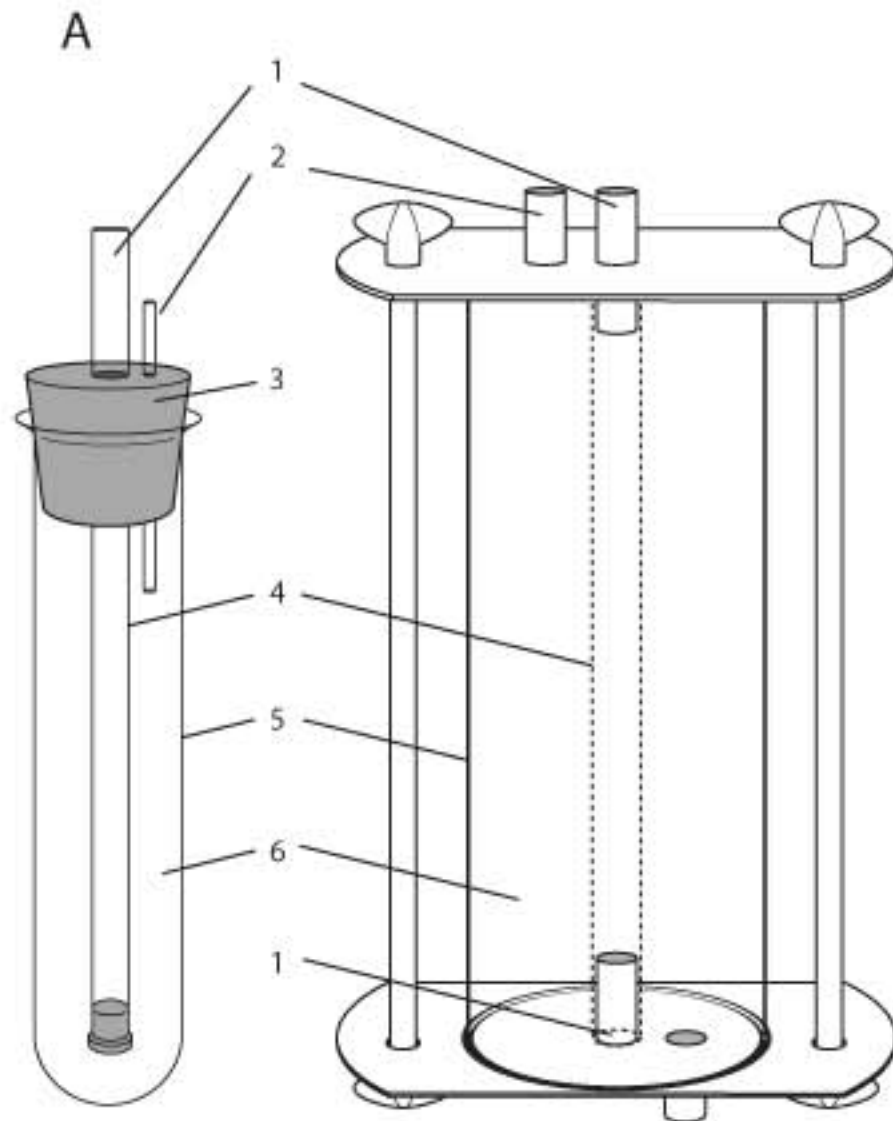




# Artificial Vessel

Produce functional small diameter blood vessels by controlling the growth conditions of a cellulose producing microbe

Inventors: Aase Bodin, Henrik Bäckdal, Paul Gatenholm, Lena Gustavsson and Bo Risberg



### Legend to figure

- (1) Gas inlet
- (2) Inoculation tube
- (3) Plug
- (4) Hollow carrier composed of oxygen permeable material
- (5) pyrex glass vessel
- (6) culture media containing cellulose producing bacteria

